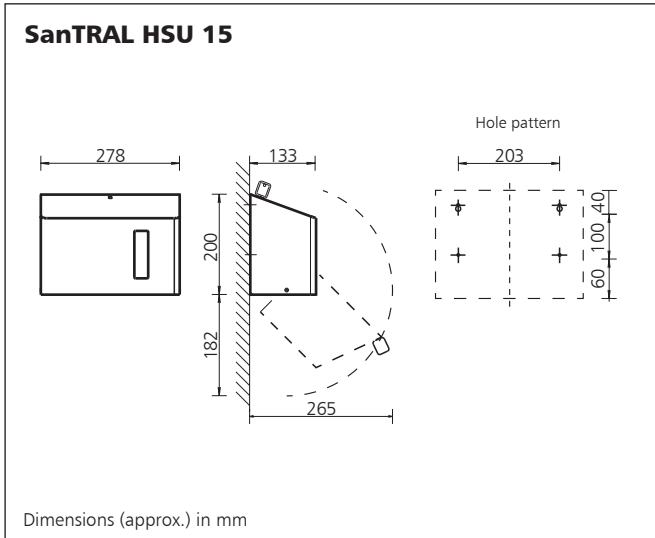


SanTRAL® HSU 15

paper towel dispenser
for folding paper towels
free choosable products • lockable



Ophardt Hygiene-Technik GmbH + Co. KG
Lindenau 27 • D-47661 Issum
Tel.: +49 2835 18-0 • Fax: +49 2835 18-77
E-Mail: info@ophardt.com • www.ophardt.com



Paper towel dispenser

- ▶ for all current folding paper towels in zigzag or C-folding

References:

- ▶ old people's-/nursing homes, hospitals, laboratories, large kitchen, food industry, industry, shopping centers, gastronomy and hotels, airports, penal institutions, schools, sport facilities, administrations

Place of application:

- ▶ washrooms, toilets, baths, care and medical rooms, kitchens, production sites, offices

Technical Data

- Housing: Stainless steel, brushed and ground or powder coated (white RAL 9010)
- Window: Plastic, clear
- Paper removal: Plastic
- Lock: Plastic (antivandalism function)
- Key: Plastic
- Wall mounting: 4-point-suspension with four plugs and steel screws

Description for tender

..... pcs. **SanTRAL HSU 15 P Art-No. 1412129**
dispenser for folding paper towels, for approx. 250 - 300 paper, stainless steel, powder coated (white RAL 9010), paper removal made of plastic, special lock (antivandalism function), window for the level control, fillable with the product of your choice, housing with pitch of the roof against placing on the dispenser
Dimensions W 278 x H 200 x D 133 mm

..... pcs. **SanTRAL HSU 15 E Art-No. 1412267**
dispenser for folding paper towels, for approx. 250 - 300 paper, stainless steel, brushed and ground, paper removal made of plastic, special lock (antivandalism function), window for the level control, fillable with the product of your choice, housing with pitch of the roof against placing on the dispenser
Dimensions W 278 x H 200 x D 133 mm

Product: **SanTRAL®**
Manufacturer: OPHARDT HYGIENE-TECHNIK GmbH + Co. KG