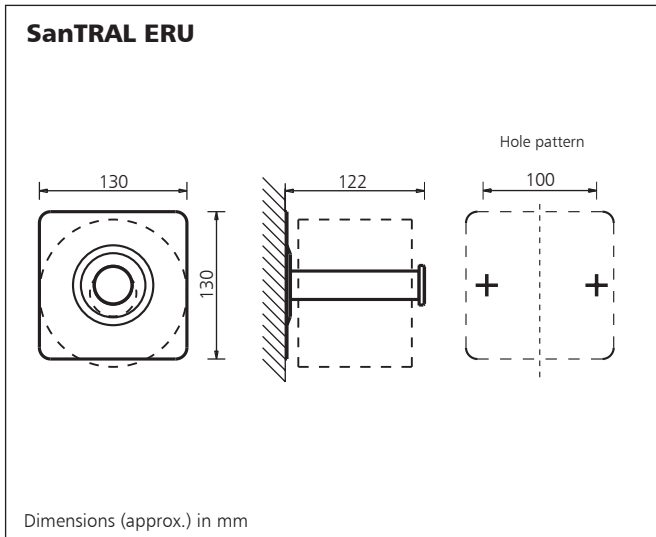
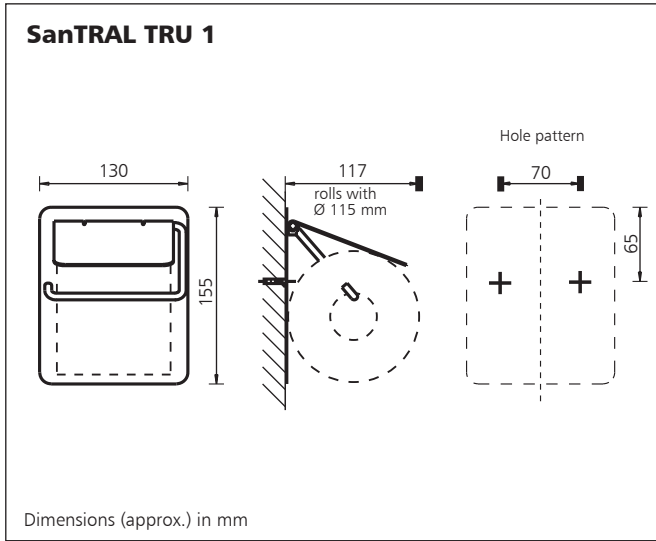


# SanTRAL® TRU 1 • ERU

dispenser for toilet paper  
replacing roll holder  
for one toilet paper roll



Ophardt Hygiene-Technik GmbH + Co. KG  
Lindenau 27 • D-47661 Issum  
Tel.: +49 2835 18-0 • Fax: +49 2835 18-77  
E-Mail: info@ophardt.com • www.ophardt.com



## Toilet paper dispenser

- ▶ for one toilet paper roll

## Replacing roll holder

- ▶ for one toilet paper roll

References: ▶ old people's-/nursing homes, hospitals, laboratories, large kitchen, industry, shopping centers, gastronomy and hotels, airports, penal institutions, schools, sport facilities, administrations

Place of application:  
▶ toilets

## Technical Data TRU 1

incl. cover  
Back plate: Stainless steel, brushed and ground or powder coated (white RAL 9010)  
Bracket: Stainless steel  
Wall mounting: with two plugs and steel screws

## Technical Data ERU

Material: Stainless steel, brushed and ground or powder coated (white RAL 9010)  
Wall mounting: with two plugs and steel screws

## Description for tender

..... pcs. **SanTRAL TRU 1 P** **Art.-No. 1411587**  
dispenser for toilet paper, 1 standard roll,  
stainless steel, powder coated (white RAL 9010)  
Dimensions W 130 x H 155 x D 117 mm

..... pcs. **SanTRAL TRU 1 E** **Art.-No. 1411586**  
dispenser for toilet paper, 1 standard roll,  
stainless steel, brushed and ground  
Dimensions W 130 x H 155 x D 117 mm

..... pcs. **SanTRAL ERU P** **Art.-No. 1411589**  
replacing roll holder for toilet paper,  
1 standard roll,  
stainless steel, powder coated (white RAL 9010)  
Dimensions W 130 x H 130 x D 122 mm

..... pcs. **SanTRAL ERU E** **Art.-No. 1411588**  
replacing roll holder for toilet paper,  
1 standard roll,  
stainless steel, brushed and ground  
Dimensions W 130 x H 130 x D 122 mm

Product: **SanTRAL®**  
Manufacturer: OPHARDT HYGIENE-TECHNIK GmbH + Co. KG