

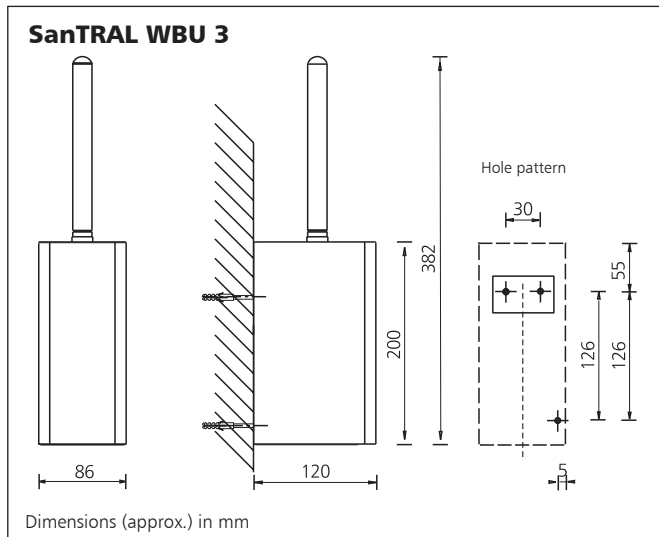
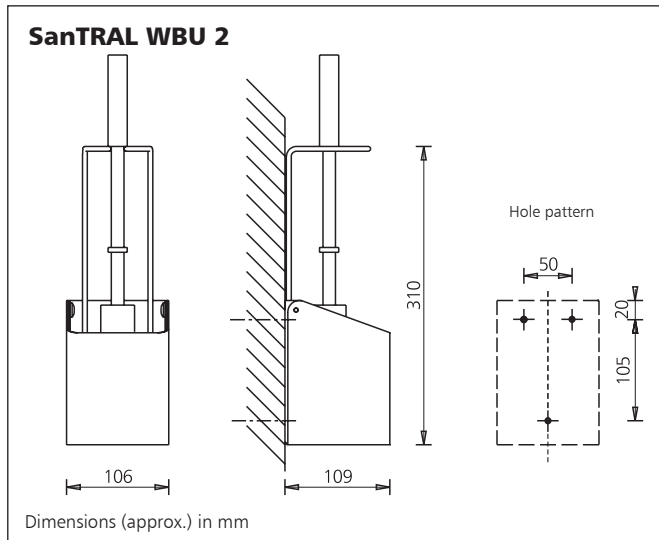
SanTRAL® WBU 2 • WBU 3

toilet - brushholder

free standing or for wall mounting

OPHARDT
hygiene

Ophardt Hygiene-Technik GmbH + Co. KG
Lindenau 27 • D-47661 Issum
Tel.: +49 2835 18-0 • Fax: +49 2835 18-77
E-Mail: info@ophardt.com • www.ophardt.com



Toilet- brushholder

- References:
- ▶ incl. toilet brush and draining dish
 - ▶ old people's-/nursing homes, hospitals, laboratories, large kitchen, food industry, industry, shopping centers, gastronomy and hotels, airports, penal institutions, schools, sport facilities, administrations

Place of application:

- ▶ toilets

Technical Data WBU 2

- Housing: Stainless steel, brushed and ground or powder coated (white RAL 9010)
- Rear plate: Stainless steel, brushed and ground
- Draining dish: Plastic
- Mounting: with three plugs and steel screws for wall mounting or free standing

Technical Data WBU 3

- Housing: Stainless steel, brushed and ground or powder coated (white RAL 9010)
- Rear plate: Stainless steel, brushed and ground
- Draining dish: Plastic
- Mounting: with three plugs and steel screws for wall mounting or free standing

Description for tender

..... pcs. **SanTRAL WBU 2 P Art-No. 1339900**
toilet - brushholder, incl. brush, stainless steel, powder coated (white RAL 9010), with removable draining dish, easy to open for cleaning, free standing or for wall mounting
Dimensions W 106 x H 310 x D 109 mm

..... pcs. **SanTRAL WBU 2 E Art-No. 1336600**
toilet - brushholder, incl. brush, stainless steel, brushed and ground with removable draining dish, easy to open for cleaning, free standing or for wall mounting
Dimensions W 106 x H 310 x D 109 mm

..... pcs. **SanTRAL WBU 3 P Art-No. 1414690**
toilet - brushholder, incl. brush with ground stainless steel handle, holder made of stainless steel, powder coated (white RAL 9010) with removable draining dish, brush head covered, free standing or for wall mounting
Dimensions W 86 x H 200 x D 120 mm

..... pcs. **SanTRAL WBU 3 E Art-No. 1414689**
toilet - brushholder, incl. brush with ground stainless steel handle, holder made of stainless steel, with removable draining dish, brush head covered, free standing or for wall mounting
Dimensions W 86 x H 200 x D 120 mm

Product: **SanTRAL®**
Manufacturer: OPHARDT HYGIENE-TECHNIK GmbH + Co. KG