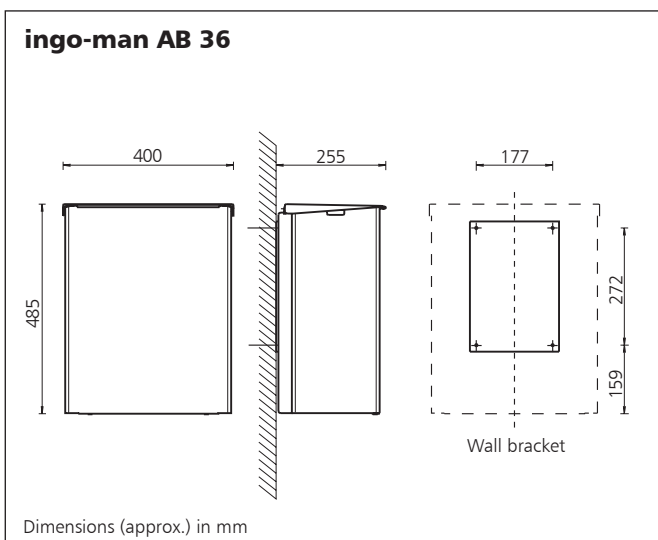
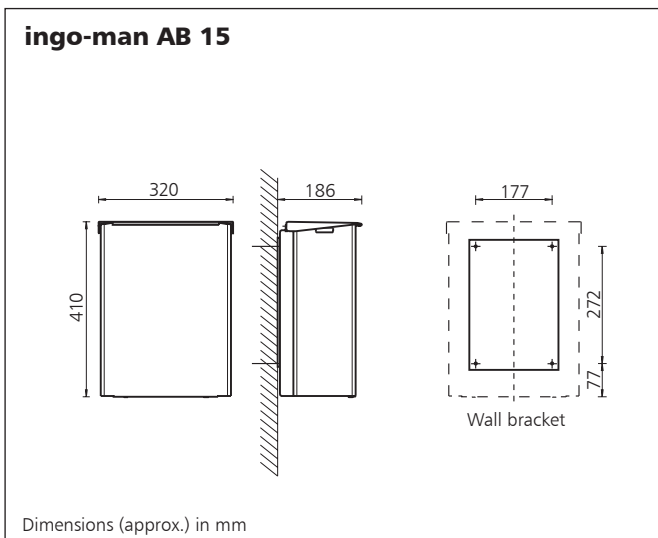
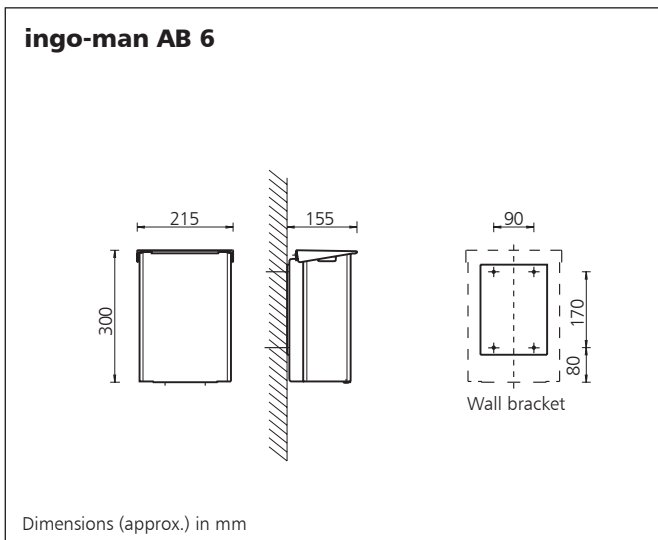


ingo-man® AB

waste bin with hinged cover • aluminium
for wall mounting or free standing
with polyester bag safeguarding



Waste bin

- ▶ for universal application, ideal for washrooms, toilets, restrooms, patient rooms, kitchens and vehicles
- ▶ with polyester bag safeguarding

Technical Data

Container: Aluminium, silver anodized, white powder coated (RAL 9010), or stainless steel, ground
Wall bracket: Material such as container with four plugs and screws
Capacity: 6 liters, 15 liters, 36 liters

Description for tender

..... pcs. **ingo-man AB 6 A Art.-No. 231000**
waste bin with hinged cover, 6 liters, aluminium, silver anodized, for wall mounting or free standing, removable wall bracket
Dimensions: W 215 x H 300 x D 155 mm

..... pcs. **ingo-man AB 6 P Art.-No. 231600**
waste bin with hinged cover, 6 liters, aluminium, white powder coated (RAL 9010), for wall mounting or free standing, removable wall bracket
Dimensions: W 215 x H 300 x D 155 mm

..... pcs. **ingo-man AB 6 E Art.-No. 285100**
waste bin with hinged cover, 6 liters, stainless steel, ground, for wall mounting or free standing, removable wall bracket
Dimensions: W 215 x H 300 x D 155 mm

..... pcs. **ingo-man AB 15 A Art.-No. 287300**
waste bin with hinged cover, 15 liters, aluminium, silver anodized, for wall mounting or free standing, removable wall bracket
Dimensions: W 320 x H 410 x D 186 mm

..... pcs. **ingo-man AB 15 P Art.-No. 287400**
waste bin with hinged cover, 15 liters, aluminium, white powder coated (RAL 9010), for wall mounting or free standing, removable wall bracket
Dimensions: W 320 x H 410 x D 186 mm

..... pcs. **ingo-man AB 15 E Art.-No. 484500**
waste bin with hinged cover, 15 liters, stainless steel, ground, for wall mounting or free standing, removable wall bracket
Dimensions: W 320 x H 410 x D 186 mm

..... pcs. **ingo-man AB 36 A Art.-No. 288200**
waste bin with hinged cover, 36 liters, aluminium, silver anodized, for wall mounting or free standing, removable wall bracket
Dimensions: W 400 x H 485 x D 255 mm

Product: **ingo-man®**
Manufacturer: OPHARDT HYGIENE-TECHNIK GmbH + Co. KG