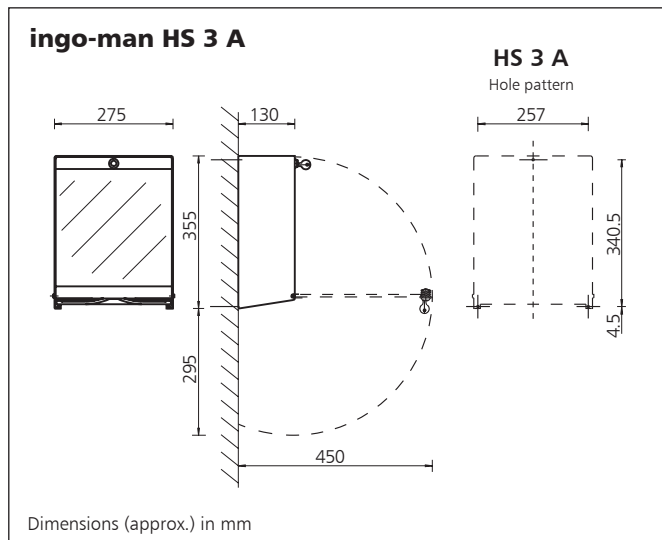


ingo-man® HS 3

paper towel dispenser • aluminium
for all current paper towels
lockable

OPHARDT
hygiene

Ophardt Hygiene-Technik GmbH + Co. KG
Lindenau 27 • D-47661 Issum
Tel.: +49 2835 18-0 • Fax: +49 2835 18-77
E-Mail: info@ophardt.com • www.ophardt.com



Paper towel dispenser

- ▶ for universal application in hospitals, gastronomys, public facilities, industry etc.
- ▶ lockable housing
- ▶ with satin plastic front flap

Technical Data

Housing: Aluminium, silver anodized
Front flap: Satin plastic
Lock: Plastic
Key: Metal
Wall mounting: with three plugs and screws

Description for tender

ingo-man HS 3 A Art.-No. 1416424
..... pcs. paper towel dispenser,
aluminium, dull silver anodized,
with satin plastic front flap, lockable,
the paper removal is designed comfortable,
reliable ans with rounded edges
Dimensions: W 275 x H 355 x D 130 mm

Product: **ingo-man®**
Manufacturer: OPHARDT HYGIENE-TECHNIK GmbH + Co. KG