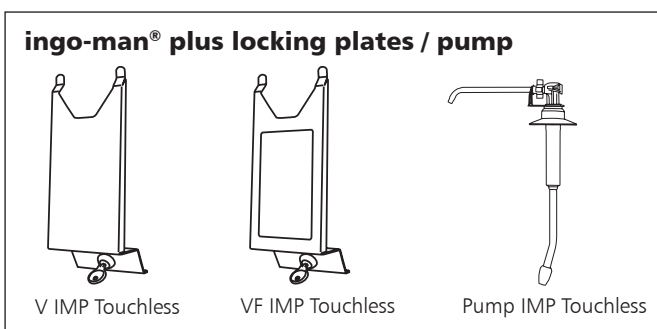
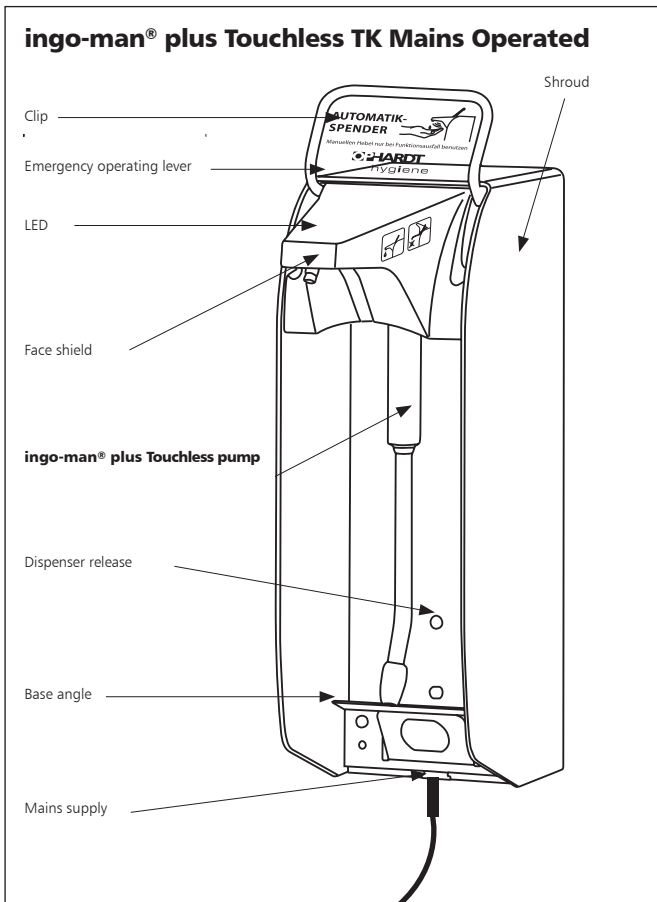
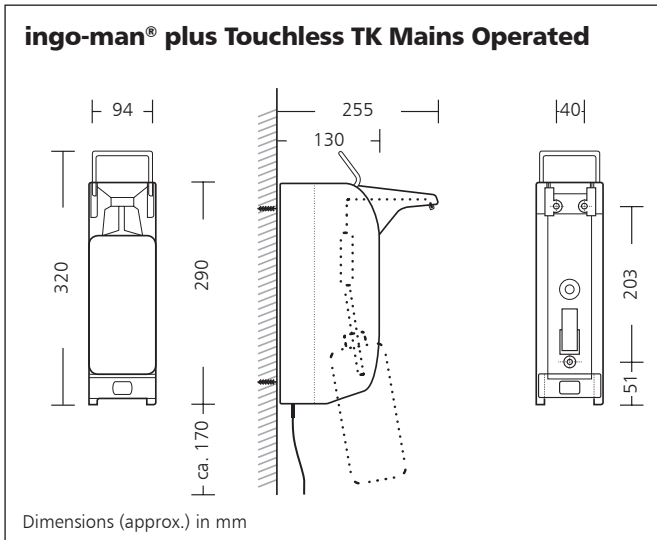


ingo-man® plus Touchless TK Mains Operated dispenser for soap and disinfectant with contact switching: Door opens after dispenser actuation for Euro-bottles • free filling choice



Ophardt Hygiene-Technik GmbH + Co. KG
Lindenau 27 • D-47661 Issum
Tel.: +49 2835 18-0 • Fax: +49 2835 18-77
E-Mail: customers@ophardt.com • www.ophardt.com



Dispenser for soap and disinfectant

- ▶ dispenses all mediums including alcohol disinfectants, liquid soaps, washing up liquids, lotions etc
- ▶ ideal for all types of medical facilities
- ▶ use standard 500 ml and 1000 ml Euro-bottle
- ▶ easy pump exchange from the front, no need to remove the dispenser from the wall

Technical Data

- Housing: Aluminium, silver anodized or brushed stainless steel
- Dosing pump: Stainless steel pump, autoclavable to 134°C, 2 bar,
- Dosing: Dosage adjustable approx. 0.7ml/1.0ml/1.2 ml/1.5 ml (dependant on the viscosity of filling solution)
- Emergency lever: Stainless steel
- Wall mounting: with 4 rawl plugs and stainless steel screws
- Mains supply: external mains adapter, transformer, (W 120 x H 60 x D35 mm),
Input: 100 -240 V/0,35 A, 2 m long
Output: 7,0 V/2,5 A, 1,5 m long
Type-plug: CEE 7/17

Description for tender

IMP T A Touchless TK Mains Operated Art.-No. 4400876

..... pcs.
dispenser for soap and disinfectant, with contact switching,
1000 ml, aluminium, silver anodized, incl. 1 Euro-bottle, mains operated, touchless, 2 hand safety sensor technology, senses the hand over and under the outlet, prevents accidental activations, autoclavable and dishwasher safe stainless steel pump, removeable (no tools required)
Dimensions: W 92 x H 330 x D 210 mm

IMP E A Touchless TK Mains Operated Art.-No. 4400696

..... pcs.
dispenser for soap and disinfectant, with contact switching,
500 ml, aluminium, silver anodized, incl. 1 Euro-bottle, mains operated, touchless, 2 hand safety sensor technology, senses the hand over and under the outlet, prevents accidental activations, autoclavable and dishwasher safe stainless steel pump, removeable (no tools required)
Dimensions: W 92 x H 330 x D 210 mm

p.t.o.

Continued tender:
ingo-man[®] plus Touchless TK Mains Operated



Ophardt Hygiene-Technik GmbH + Co. KG
Lindenau 27 • D-47661 Issum
Tel.: +49 2835 18-0 • Fax: +49 2835 18-77
E-Mail: customers@ophardt.com • www.ophardt.com

Locking plates:

..... psc. **VF IMP Touchless A Art.-No. 2400076**
locking plate for IMP Touchless,
incl. lock and key, with window,
aluminium, silver anodized

..... psc. **V IMP Touchless A Art.-No. 2400145**
locking plate for IMP Touchless,
incl. lock and key, without window,
aluminium, silver anodized

..... psc. **VF IMP Touchless E Art.-No. 1416375**
locking plate for IMP Touchless,
incl. lock and key, with window,
brushed stainless steel

..... psc. **V IMP Touchless E Art.-No. 1416374**
locking plate for IMP Touchless,
incl. lock and key, without window,
brushed stainless steel

Pumps:

..... psc. **Pump IMP T Touchless Art.-No. 1416896**
stainless steel pump for IMP Touchless, 1000 ml
dosage adjustable approx 0.75 ml/1.0 ml/
1.2 ml/1.5 ml (dependant on the viscosity of
filling solution), autoclavable and
dishwasher safe

..... psc. **Pump IMP E Touchless Art.-No. 1417696**
stainless steel pump for IMP Touchless, 500 ml,
dosage adjustable approx 0.75 ml/1.0 ml/
1.2 ml/1.5 ml (dependant on the viscosity of
filling solution), autoclavable and
dishwasher safe

Product: **ingo-man[®] plus**
Manufacturer: OPHARDT HYGIENE-TECHNIK GmbH + Co. KG