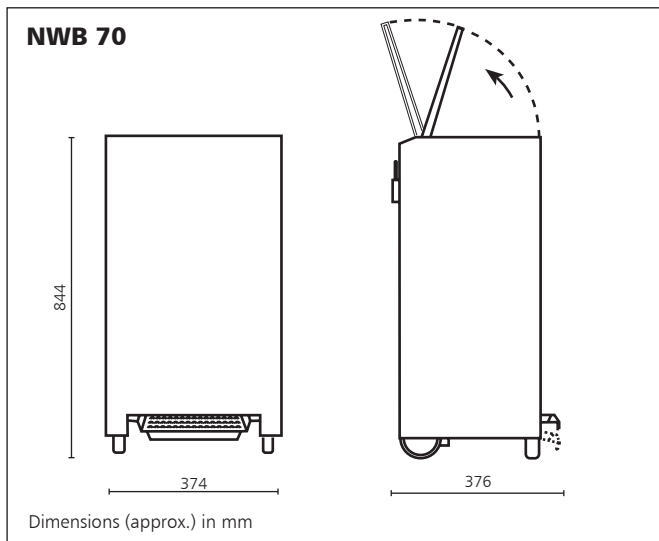
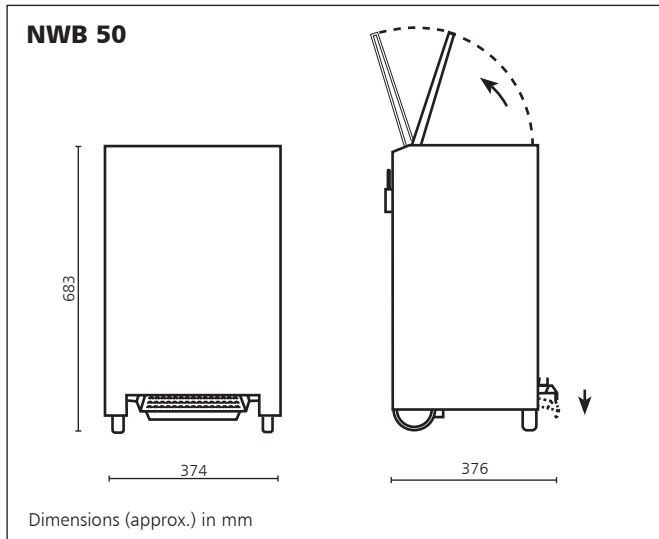
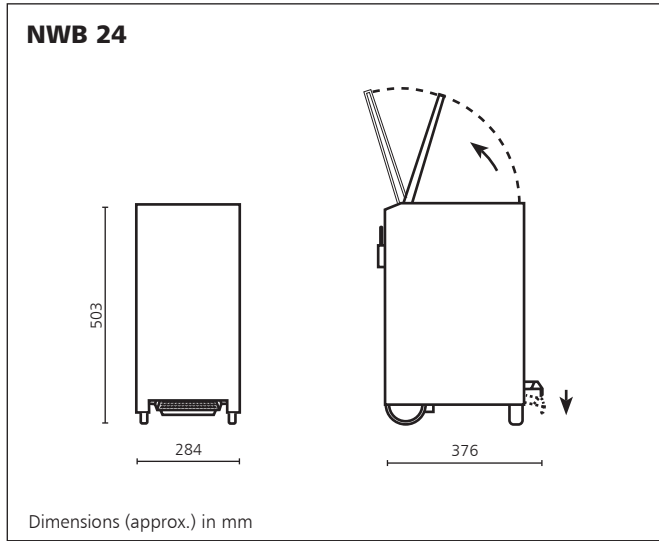


NWB Series WASTE BIN

waste bin with self-closing damped lid,
closed container, self-supporting, rollable,
fire-retardant



Ophardt Hygiene-Technik GmbH + Co. KG
Lindenau 27 • D-47661 Issum
Tel.: +49 2835 18-0 • Fax: +49 2835 18-77
E-Mail: info@ophardt.com • www.ophardt.com



Waste bin

- References:
- ▶ for every purpose
 - ▶ Nursing homes, hospitals, laboratories, industry, gastronomy and hotels, public facilities
- Place of application:
- ▶ Hospital and medical domain, public wash room, lavatory, toilet, bath, kitchen

Technical Data

Housing: Stainless steel brushed ground
Lid: Stainless steel brushed ground, damped
Capacity: 30 litres, 50 litres, 70 litres

Description for tender

..... pcs. **NWB 24** **Art-No. 1416587**
Waste bin, 30 litres, stainless steel brushed ground, self-closing damped lid stainless steel lid, closed container, invisible sack, self-supporting, rollable, fire-retardant
Dimensions W 284 x H 503 x D 376 mm

..... pcs. **NWB 50** **Art-No. 1416588**
Waste bin, 50 litres, stainless steel brushed ground, self-closing damped lid stainless steel lid, closed container, invisible sack, self-supporting, rollable, fire-retardant
Dimensions W 374 x H 683 x D 376 mm

..... pcs. **NWB 70** **Art-No. 1416589**
Waste bin, 70 litres, Stainless steel brushed ground, self-closing damped lid Stainless steel lid, closed container, invisible sack, self-supporting, rollable, fire-retardant,
Dimensions W 374 x H 844 x D 376 mm

Product: **NWB**
Manufacturer: OPHARDT HYGIENE-TECHNIK GmbH + Co. KG